



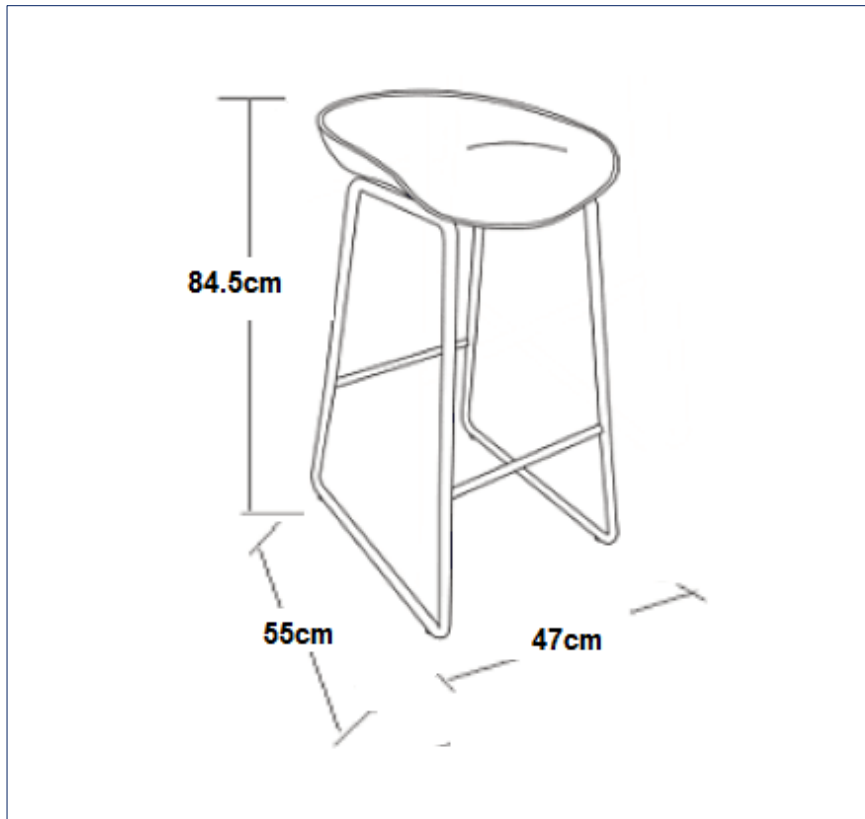
ASSEMBLY INSTRUCTION

HAYE STOOL

ITEM CODE 62517

Imported by Amart Furniture Pty Ltd, Qld, Brisbane Australia.

For any assistance with assembly or for missing parts please phone
Amart Furniture , Customer Service Free call 1800 351 084





Imported by Amart Furniture Pty Ltd, Qld, Brisbane Australia.
For any assistance with assembly or for missing parts please phone
Amart Furniture , Customer Service Free call 1800 351 084

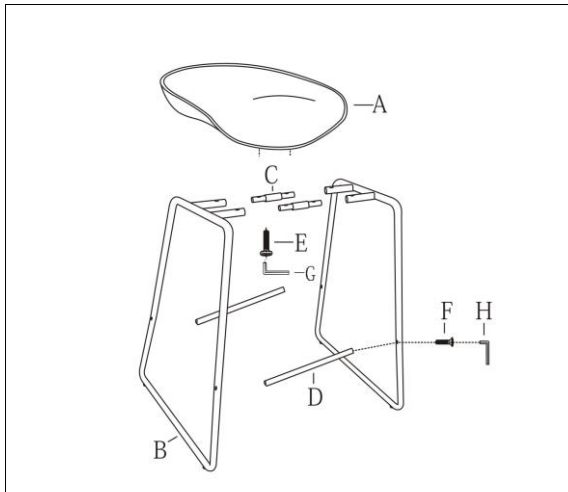
PRE-ASSEMBLY PREPARATION

Before you start:





1. Choose a clean, level, spacious assembly area. Avoid hard surfaces that may damage the product
2. Take care when lifting. Product should be assembled as near as possible to the point of use
3. Ensure that you have all required contents for complete assembly
4. Always read the assembly instructions carefully before beginning assembly.
5. Keep all hardware parts and packaging out of reach of small children.
6. Do not over tighten the screws and bolts as this may damage the threads

	
ALLOW 5 MINUTES	PEOPLE REQUIRED
ADDITIONAL TOOLS REQUIRED	

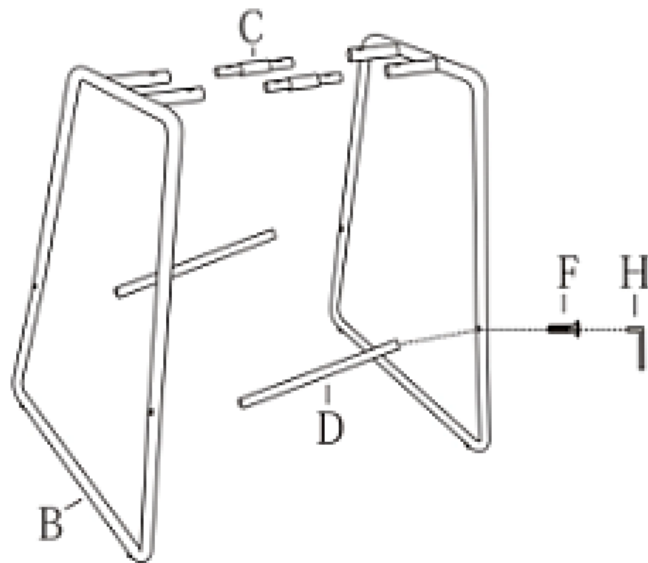
PARTS LIST



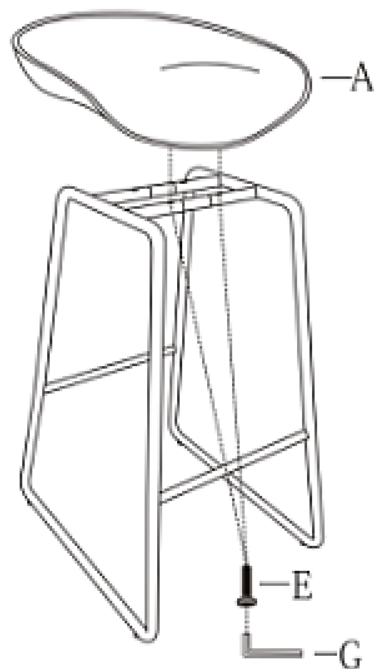
A	CHAIR SEAT
B	LEG
C	CONNECTION SUPPORT
D	FOOT REST

 E×4 M6×30mm	 F×4 M6×30mm	 G×1 M6
 H×1 M5		

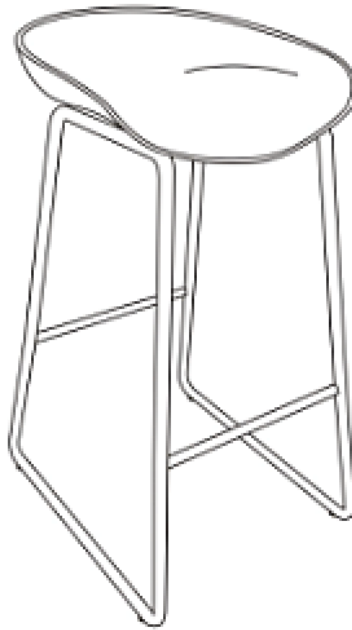
STEP 1: Tighten the leg (B) ,CONNECTION SUPPORT(C) and FOOT REST(D) with bolt (F) by wrench (H).



STEP 2: Tighten whole base to seat (A) with bolt (E) by wrench (G).



STEP 3: ASSEMBLY IS COMPLETE



CARE AND MAINTENANCE

When necessary brush or vacuum away dust and grit. Wipe over with a soft, clean, colourfast cloth

FOR SPOTS AND SPILLS:

- Wipe excess liquid up immediately with an absorbent cloth or sponge

FOR OVERALL CLEANING:

- We recommend cleaning every 3-4 months with General cleaner. Always follow directions on packs

NOTES:

- Accumulation of perspiration and body oils may damage your covering. These areas may require more frequent cleaning
- Easy to Clean Covering is not recommended for users on frequent medication. Particularly heart, blood pressure, diabetes or chemotherapy medication. This medication can seep through the skin and when combined with perspiration, attacks the protective polyurethane coating.

DO NOT:

- Dry clean or machine wash
- Expose Easy to Clean Covering to direct sunlight, intensive heat, weather or soak unnecessarily. Always avoid excessive hard rubbing
- Use saddle soap, detergents, solvents, abrasives, unidentified leather cleaners, suede cleaners or any products containing silicon or solvents
- Use silicone based leather care products. These can damage the coating over time. Any leather care product with an oily or greasy feel should be avoided
- Expose cover to new clothing, cushions or throws as this may lead to dye transfer and permanent staining. Ensure these items are colourfast before placing them on cover.

CHAIRS AND STOOLS

- **Do not:**
 - Use chair/stool as a ladder
 - Climb on the chair/stool
 - Stand on the foot-rest of the chair, as this could lead to the stool becoming unbalanced and overturning